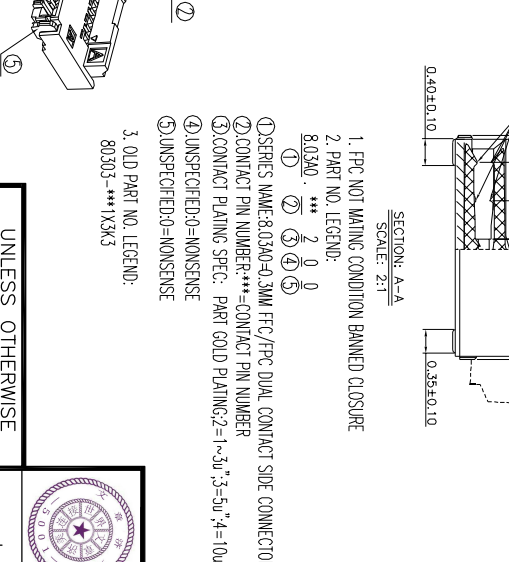
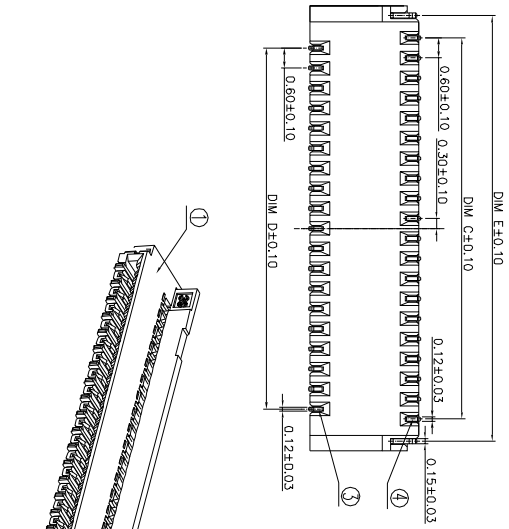
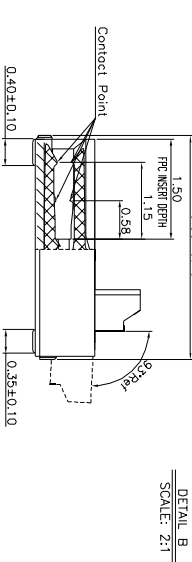
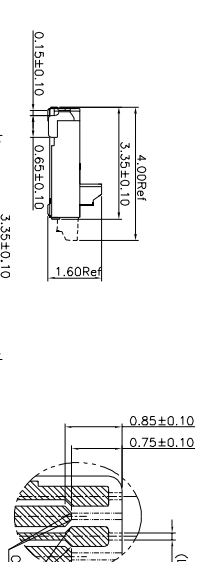
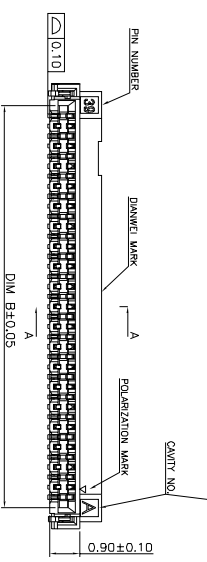
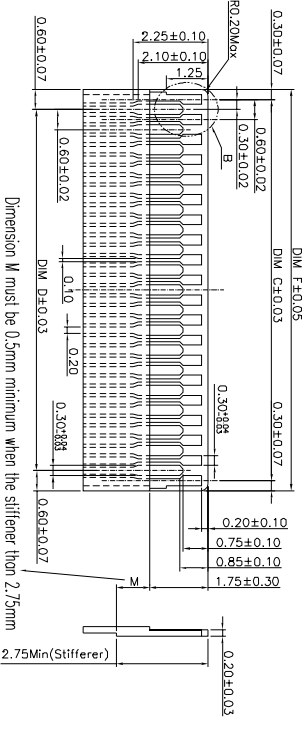
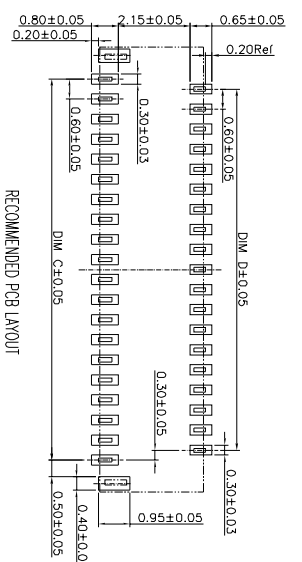
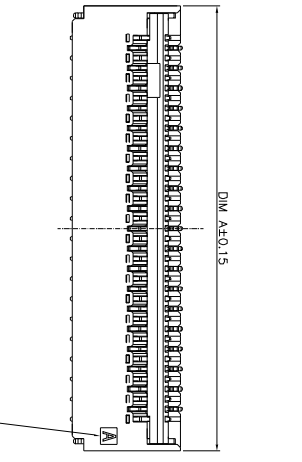


MARK	DATE	DESCRIPTION	DESIGN
Ⓒ	2014.11.26	CHANGE COMPANY NAME	
Ⓓ	2015.08.04	ADD PACKAGE SPEC	
Ⓔ		CHANGE PART NUMBER	



Pin No.	P/N	DIM A	DIM B	DIM C	DIM D	DIM E	DIM F
9	8.03A0.009200	4.30	3.03	2.40	1.80	3.73	3.00
11	8.03A0.011200	4.90	3.63	3.00	2.40	4.33	3.60
13	8.03A0.013200	5.50	4.23	3.60	3.00	4.93	4.20
15	8.03A0.015200	6.10	4.83	4.20	3.60	5.53	4.80
17	8.03A0.017200	6.70	5.43	4.80	4.20	6.13	5.40
19	8.03A0.019200	7.30	6.03	5.40	4.80	6.73	6.00
21	8.03A0.021200	7.90	6.63	6.00	5.40	7.33	6.60
23	8.03A0.023200	8.50	7.23	6.60	6.00	7.93	7.20
25	8.03A0.025200	9.10	7.83	7.20	6.60	8.53	7.80
27	8.03A0.027200	9.70	8.43	7.80	7.20	9.13	8.40
31	8.03A0.031200	10.90	9.63	9.00	8.40	10.33	9.60
33	8.03A0.033200	11.50	10.23	9.60	9.00	10.93	10.20
35	8.03A0.035200	12.10	10.83	10.20	9.60	11.53	10.80
37	8.03A0.037200	12.70	11.43	10.80	10.20	12.13	11.40
39	8.03A0.039200	13.30	12.03	11.40	10.80	12.73	12.00
41	8.03A0.041 00	13.90	12.63	12.00	11.40	13.33	12.60
45	8.03A0.045200	15.10	13.83	13.20	12.60	14.53	13.80
49	8.03A0.049200	16.30	15.03	14.40	13.80	15.73	15.00
51	8.03A0.051200	16.90	15.63	15.00	14.40	16.33	15.60
57	8.03A0.057200	18.70	17.43	16.80	16.20	18.13	17.40
61	8.03A0.061200	19.90	18.63	18.00	17.40	19.33	18.60

UNLESS OTHERWISE SPECIFIED TOLERANCE	ANG	TOL	DIM	TOL
.X	±3.0°	X	±0.20	
.XX	±2.0°	.XX	±0.10	
.XXX	±1.0°	.XXX	±0.05	

APPROVED	VERIFIED	DESIGN	PART NAME:	0.3mm FFG/FPC DUAL CONTACT SIDE CONNECTOR (H=0.9mm)
WANG PENG			8.03A0-C	
			PART NO.:	8.03A0**200
			DATE	2016.03.14
			UNITS	mm
			SCALE	1:1
			PAGE	1/2
			REV	E

深圳市文章济美科技有限公司
 Shenzhen Wenzhangjimeimei technology co., LTD

1. FPC NOT MATING CONDITION BANNED CLOSURE
 2. PART NO. LEGEND:
 803A0.*** 2 0 0
 ① ② ③ ④ ⑤
 ①SERIES NAME:8.03A0=0.3MM FFG/FPC DUAL CONTACT SIDE CONNECTOR (H=0.9mm)
 ②CONTACT PIN NUMBER:***=CONTACT PIN NUMBER
 ③CONTACT PLATING SPEC. PART GOLD PLATING:2=1~3μ ;3=5μ ;4=10μ ;5=15μ
 ④UNSPECIFIED=NONSENSE
 ⑤UNSPECIFIED=NONSENSE
 3. OLD PART NO. LEGEND:
 80303-***1X3K3

NOTE: ALL RIGHTS RESERVED, BANNED COPY!