

REV ECN NO.

CIRCUITS	DM	ADIM	BDIM	CDIM	DDIM
2x5	3.20	5.75	4.75	5.75	5.00
2x6	4.00	6.55	5.55	5.55	5.80
2x7	4.80	7.35	6.35	6.60	6.60
2x8	5.60	8.15	7.15	7.40	7.40
2x9	6.40	8.95	7.95	8.20	8.20
2x10	7.20	9.75	8.75	9.00	9.00
2x11	8.00	10.55	9.55	9.80	9.80
2x12	8.80	11.35	10.35	10.60	10.60
2x13	9.60	12.15	11.15	11.40	11.40
2x14	10.40	12.95	11.95	12.20	12.20
2x15	11.20	13.75	12.75	13.00	13.00
2x16	12.00	14.55	13.55	13.80	13.80
2x17	12.80	15.35	14.35	14.60	14.60
2x18	13.60	16.15	15.15	15.40	15.40
2x19	14.40	16.95	15.95	16.20	16.20
2x20	15.20	17.75	16.75	17.00	17.00
2x21	16.00	18.55	17.55	17.80	17.80
2x22	16.80	19.35	18.35	18.60	18.60
2x23	17.60	20.15	19.15	19.40	19.40
2x24	18.40	20.95	19.95	20.20	20.20
2x25	19.20	21.75	20.75	21.00	21.00
2x26	20.00	22.55	21.55	21.80	21.80
2x27	20.80	23.35	22.35	22.60	22.60
2x28	21.60	24.15	23.15	23.40	23.40
2x29	22.40	24.95	23.95	24.20	24.20
2x30	23.20	25.75	24.75	25.00	25.00
2x31	24.00	26.55	25.55	25.80	25.80
2x32	24.80	27.35	26.35	26.60	26.60
2x33	25.60	28.15	27.15	27.40	27.40
2x34	26.40	28.95	27.95	28.20	28.20
2x35	27.20	29.75	28.75	29.00	29.00
2x36	28.00	30.55	29.55	29.80	29.80
2x37	28.80	31.35	30.35	30.60	30.60
2x38	29.60	32.15	31.15	31.40	31.40
2x39	30.40	32.95	31.95	32.20	32.20
2x40	31.20	33.75	32.75	33.00	33.00
2x41	32.00	34.55	33.55	33.80	33.80
2x42	32.80	35.35	34.35	34.60	34.60
2x43	33.60	36.15	35.15	35.40	35.40
2x44	34.40	36.95	35.95	36.20	36.20
2x45	35.20	37.75	36.75	37.00	37.00
2x46	36.00	38.55	37.55	37.80	37.80
2x47	36.80	39.35	38.35	38.60	38.60
2x48	37.60	40.15	39.15	39.40	39.40
2x49	38.40	40.95	39.95	40.20	40.20
2x50	39.20	41.75	40.75	41.00	41.00

1. Specification:

- 1.1 Current rating:0.5A AC/DC
- 1.2 Voltage rating:50V AC/DC
- 1.3 Contact resistance:20m milliohms max
- 1.4 Insulation resistance:100 Mega ohms min
- 1.5 Withstanding voltage:500V AC/minute
- 1.6 Temperature range:-25°C to +80°C
- 2. Material and Plating
 - 2.1 Insulator:PA9T. Plastic(UL94V-0)
 - 2.2 Contact: Phosphor Bronze
 - 2.3 Finish: Gold Plated

Mating Height:5.20mm

深圳市文章济美科技有限公司
Shenzhen WenzhangjiMei technology co., LTD

DESCRIPTION:
0.8mm Board to Board Plug

PART NO: 101MXXU-A1Q2-A2ST1B
DRAWING NO: P1101MXXU-A2ST1B-01

REV: 1.0
SIZE: A4

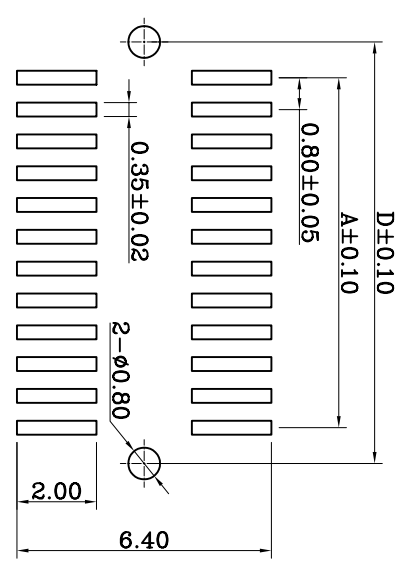
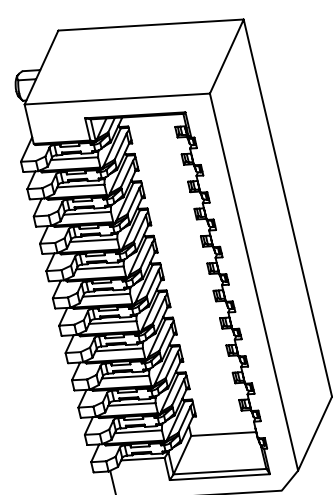
DRAWING: 杨朝
CHECKED: 杨朝
APPROVAL:

GENERAL TOLERANCE
.X: ± 0.2
.XX: ± 0.10
.XXX: ± 0.05

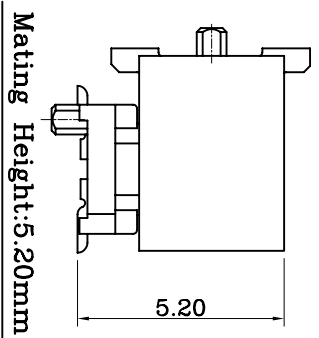
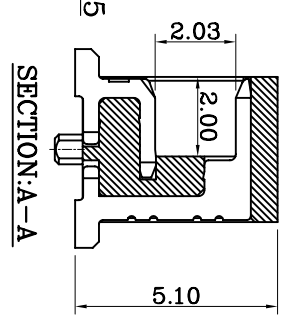
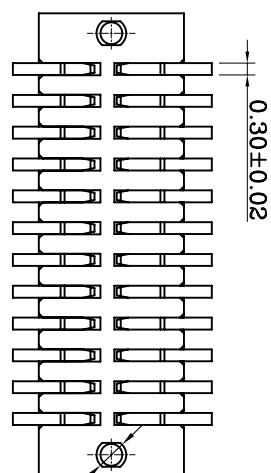
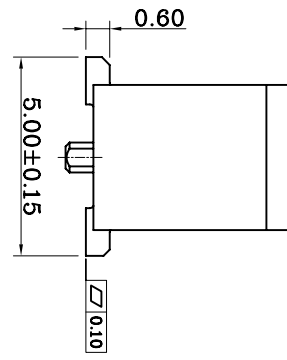
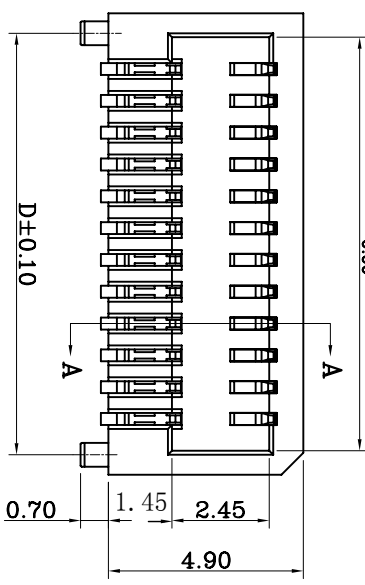
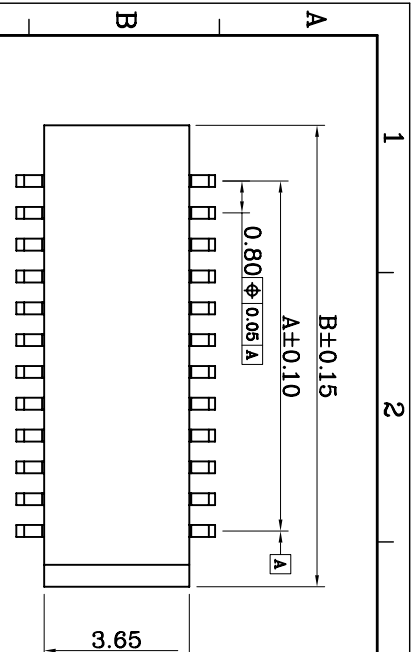
UNIT: MM
SCALE: 1/1
SHEET: 1/1

PROJECTION:

NO.	DATE	DESCRIPTION	APPROVAL
1			
2			
3			
4			
5			



Recommended PCB Layout



1. Specification:
 - 1.1 Current rating:0.5A AC/DC
 - 1.2 Voltage rating:50V AC/DC
 - 1.3 Contact resistance:20m milliohms max
 - 1.4 Insulation resistance:100 Mega ohms min
 - 1.5 Withstanding voltage:500V AC/minute
 - 1.6 Temperature range:-25°C to +80°C
2. Material and Plating
 - 2.1 Insulator:PA9T, Plastic(UL94V-0)
 - 2.2 Contact: Brass
 - 2.3 Finish: Gold Plated

CIRCUITS	DIM	ADIM	BDIM	CDIM	DDIM	D
2x5	3.20	6.00	4.80	5.00		
2x6	4.00	6.80	5.60	5.80		
2x7	4.80	7.60	6.40	5.60		
2x8	5.60	8.40	7.20	7.40		
2x9	6.40	9.20	8.00	8.20		
2x10	7.20	10.00	8.80	9.00		
2x11	8.00	10.80	9.60	9.80		
2x12	8.80	11.60	10.40	10.60		
2x13	9.60	12.40	11.20	11.40		
2x14	10.40	13.20	12.00	12.20		
2x15	11.20	14.00	12.80	13.00		
2x16	12.00	14.80	13.60	13.80		
2x17	12.80	15.60	14.40	14.60		
2x18	13.60	16.40	15.20	15.40		
2x19	14.40	17.20	16.00	16.20		
2x20	15.20	18.00	16.80	17.00		
2x21	16.00	18.80	17.60	17.80		
2x12	16.80	19.60	18.40	18.60		
2x13	17.60	20.40	19.20	19.40		
2x24	18.40	21.20	20.00	20.20		
2x25	19.20	22.00	20.80	21.00		
2x26	20.00	22.80	21.60	21.80		
2x27	20.80	23.60	22.40	22.60		
2x28	21.60	24.40	23.20	23.40		
2x29	22.40	25.20	24.00	24.20		
2x30	23.20	26.00	24.80	25.00		
2x31	24.00	26.80	25.60	25.80		
2x32	24.80	27.60	26.40	26.60		
2x33	25.60	28.40	27.20	27.40		
2x34	26.40	29.20	28.00	28.20		
2x35	27.20	30.00	28.80	29.00		
2x36	28.00	30.80	29.60	29.80		
2x37	28.80	31.60	30.40	30.60		
2x38	29.60	32.40	31.20	31.40		
2x39	30.40	33.20	32.00	32.20		
2x40	31.20	34.00	32.80	33.00		
2x41	32.00	34.80	33.60	33.80		
2x42	32.80	35.60	34.40	34.60		
2x43	33.60	36.40	35.20	35.40		
2x44	34.40	37.20	36.00	36.20		
2x45	35.20	38.00	36.80	37.00		
2x46	36.00	38.80	37.60	37.80		
2x47	36.80	39.60	38.40	38.60		
2x48	37.60	40.40	40.00	39.40		
2x49	38.40	41.20	40.00	40.20		
2x50	39.20	42.00	40.80	41.00		

GENERAL TOLERANCE

.X:±0.2
.XX:±0.10
.XXX:±0.05

.X':±2°
.XX':±1°
.XXX':±0.5°

DESCRIPTION:
0.8mm Board to Board Socket R/A Type

深圳市文章济美科技有限公司
Shenzhen WenzhangJiMei technology co., LTD

PART NO: 101PXXU-A1Q1-A2RR1B

DRAWING NO: P1101PXXU-A2RR1B-01

REV: 1.0
SIZE: A4

NO.	DATE	DESCRIPTION	APPROVAL
1			

DRAWING:	杨朝
CHECKED:	杨朝
APPROVAL:	

UNIT:	MM
SCALE:	1/1
SHEET:	1/1

PROJECTION:	
-------------	--

DESCRIPTION:	0.8mm Board to Board Socket R/A Type
PART NO:	101PXXU-A1Q1-A2RR1B
DRAWING NO:	P1101PXXU-A2RR1B-01
REV:	1.0
SIZE:	A4