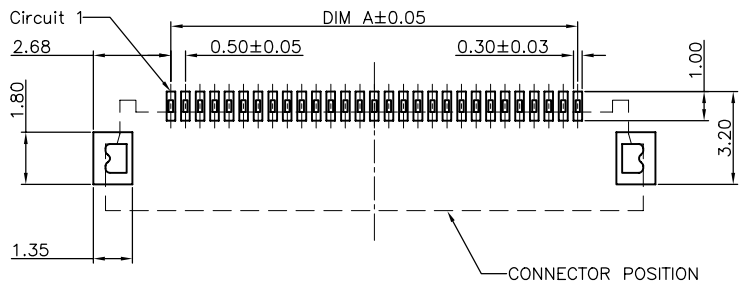
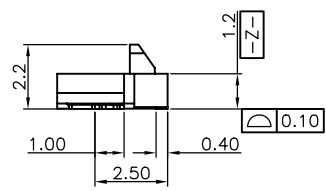
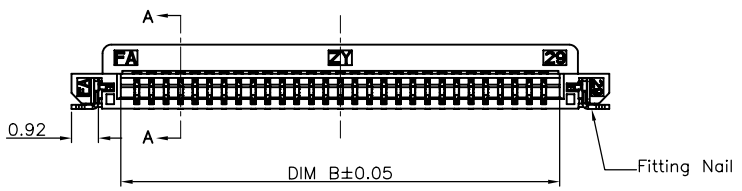
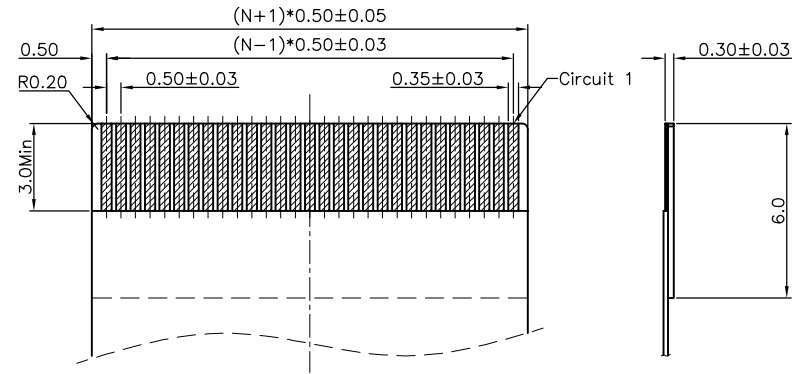


SECTION A-A
SCALE 1:1



RECOMMENDED P.C.B. PATTERN LAYOUT



RECOMMENDED FPC/FFC DIMENSION

- Note:**
- Material:**
 - Housing: thermoplastic high temp.UL94V-0; Color: natural.
 - Latch: thermoplastic high temp.UL94V-0; Color: black.
 - Terminal: copper alloy.
 - Fitting Nail: copper alloy.
 - Finish:**
 - Terminal: Underplating: Au/matt Tin overall.
 - Fitting Nail: Underplating: matt Tin overall.
 - Product must comply HF RoHS specification.

CKTS	DIM A	DIM B	DIM C	DIM D
4	1.50	2.60	5.00	6.00
5	2.00	3.10	5.50	6.50
6	2.50	3.60	6.00	7.00
7	3.00	4.10	6.50	7.50
8	3.50	4.60	7.00	8.00
9	4.00	5.10	7.50	8.50
10	4.50	5.60	8.00	9.00
11	5.00	6.10	8.50	9.50
12	5.50	6.60	9.00	10.00
13	6.00	7.10	9.50	10.50
14	6.50	7.60	10.00	11.00
15	7.00	8.10	10.50	11.50
16	7.50	8.60	11.00	12.00
17	8.00	9.10	11.50	12.50
18	8.50	9.60	12.00	13.00
19	9.00	10.10	12.50	13.50
20	9.50	10.60	13.00	14.00
21	10.00	11.10	13.50	14.50
22	10.50	11.60	14.00	15.00
23	11.00	12.10	14.50	15.50
24	11.50	12.60	15.00	16.00
25	12.00	13.10	15.50	16.50
26	12.50	13.60	16.00	17.00
27	13.00	14.10	16.50	17.50
28	13.50	14.60	17.00	18.00
29	14.00	15.10	17.50	18.50
30	14.50	15.60	18.00	19.00
31	15.00	16.10	18.50	19.50
32	15.50	16.60	19.00	20.00
33	16.00	17.10	19.50	20.50
34	16.50	17.60	20.00	21.00
35	17.00	18.10	20.50	21.50
36	17.50	18.60	21.00	22.00
37	18.00	19.10	21.50	22.50
38	18.50	19.60	22.00	23.00
39	19.00	20.10	22.50	23.50
40	19.50	20.60	23.00	24.00
41	20.00	21.10	23.50	24.50
42	20.50	21.60	24.00	25.00
43	21.00	22.10	24.50	25.50
44	21.50	22.60	25.00	26.00
45	22.00	23.10	25.50	26.50
46	22.50	23.60	26.00	27.00
47	23.00	24.10	26.50	27.50
48	23.50	24.60	27.00	28.00
49	24.00	25.10	27.50	28.50
50	24.50	25.60	28.00	29.00
51	25.00	26.10	28.50	29.50
52	25.50	26.60	29.00	30.00
53	26.00	27.10	29.50	30.50
54	26.50	27.60	30.00	31.00
55	27.00	28.10	30.50	31.50
56	27.50	28.60	31.00	32.00
57	28.00	29.10	31.50	32.50
58	28.50	29.60	32.00	33.00
59	29.00	30.10	32.50	33.50
60	29.50	30.60	33.00	34.00

CUSTOMER DRAWING		深圳市文章济美科技有限公司 Shenzhen WenzhangJiMei technology co., LTD	
Tolerance Unspecified (未注公差)	Size (图幅): A4	Product Name (产品名称):	0.5Pitch H=1.2 FPC Easy-on Back-Flip R/A Type1 SMT CONN
0.0 ±0.15 0° ±5°	Unit (单位): MM	Product No (产品料号):	5001-FCB0512-**-RL
0.00 ±0.10 0° 0 ±3°	Scale (比例): 1:1	Page (页数):	1 OF 1
0.000 ±0.05 0° 00 ±1°	Project View (投影视角):	Designer (设计):	Checked (审核):
	Rev (版本): A	Allan 06/14/13	Approved (核准):

Rev	Change Description	Date	Revisor
A	初版发行	2013/06/14	Allan
版本	变更内容	日期	制/修订人