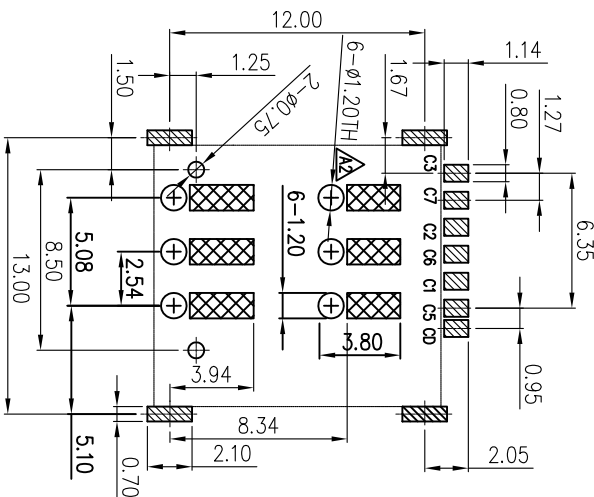
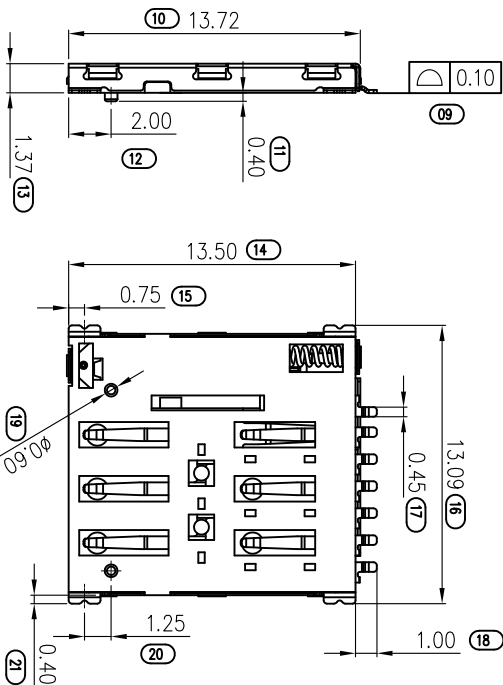
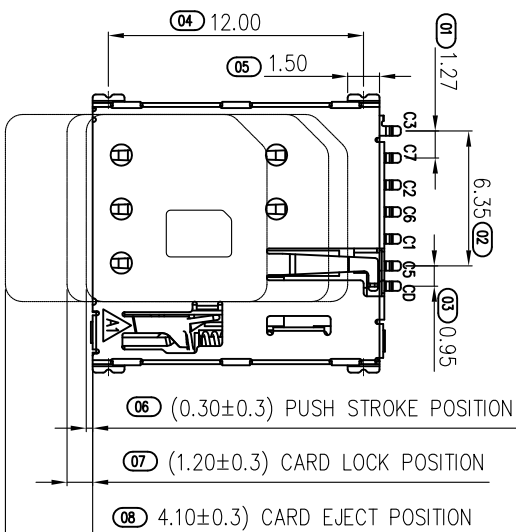
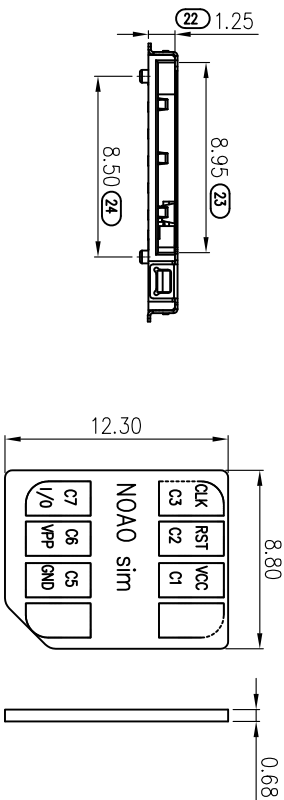


ROHS

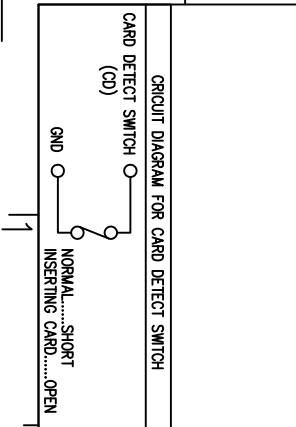
REV.	EC#	DESCRIPTION	DATE	DRAWING	CHECKED	APPROVED
A1	ECN1711006	根据客户要求更改部品，LAYOUT增加KEY-OUT，ANGE标示	06/11/17	SUPER	SKY	WZX
A2	ECN171200*	根据客户要求变更	05/12/17	SUPER	SKY	WU



RECOMMENDED PCB LAYOUT
GENERAL TOLERANCE ±0.05



- NOTES:
- 1) MATERIAL:
HOUSING: HI-TEMP. PLASTIC UL 94V-0
CONTACT: COPPER ALLOY
SHELL: STAINLESS STEEL
 - 2) PLATING :
TERMINAL:
CONTACT AREA: AU GOLD FLASH;
SOLDER AREA: AU GOLD FLASH;
UNDER PLATE: NICKEL.
SHELL: NICKEL PLATED OVER ALL.
SOLDER AREA: GOLD FLASH;
 3. SPECIALTY:
3.1 Rotted current: 1.0A
3.2 Rotted voltage: 30V
3.3 Contact Resistance: 50mΩ MAX
3.4 Insulation Resistance: 1000MΩ MIN 500V DC
3.5 Dielectric withstanding voltage: 500V AC.
3.6 Solder ability: 260±0/-5°C, 30±10s.
3.7 Durability: 5000 Cycles Min.
3.8 Operating condition: Temperature: -40°C~+85°C;
Humidity 80% RH MAX



SIM pin Assignment	MILLIMETERS	INCH	UNITS	MM
PIN#	Ngme	X° ± 2°	MATL	
C1	VCC	.XX ±	SEE NOTES	
C2	RST	.XX ± 0.20	FINISH	
C3	CLK	.XXX± 0.10	SEE NOTES	
C5	GND			
C6	VPP		QTY	
C7	I/O		SEE NOTES	

深圳市文章济美科技有限公司

PART NUMBER: 102011612

TITLE: NANO SIM CARD PUSH (PUSH PIN 1.37H 密CD PIN(密插))

APPD: C-102011612-00

CHKD: DR:

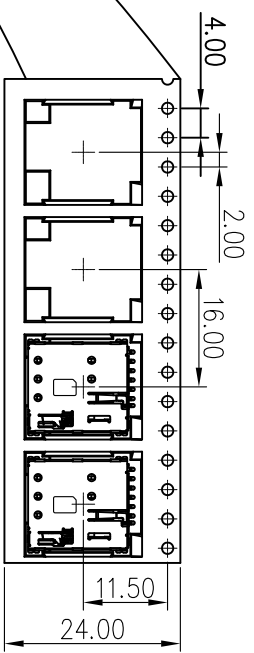
SCALE: 1:1

SHEET: 1/2

REV: A2

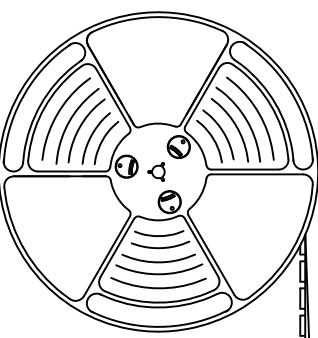
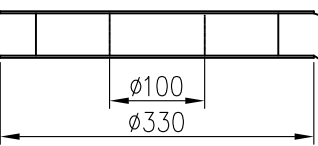
ROHS

客户拉出方向

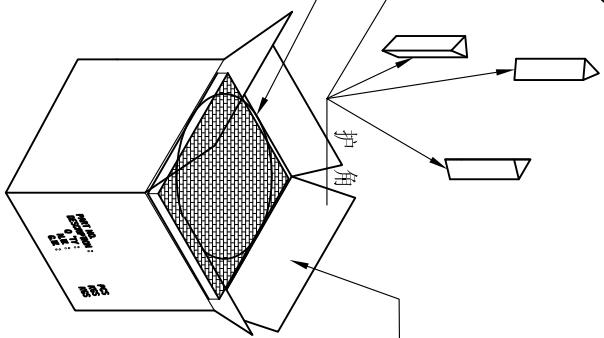
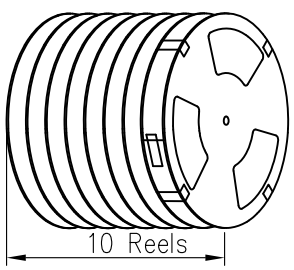


客户拉出方向

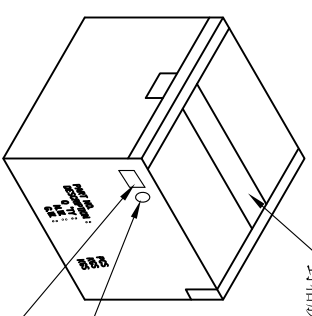
自粘上贴



纸箱底部和顶部各垫一块珍珠棉



将10卷产品放入箱内



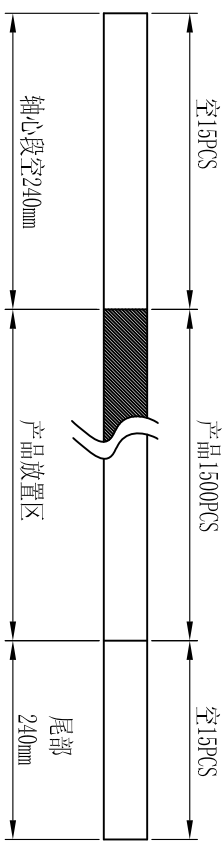
封箱胶带“工”字形封好

绿色环保标签
产品标签贴在纸箱左上角



NOTES

1. 每卷包装数量: 1500PCS/每卷
2. 卷带包装方式:



3. 每箱包装数量: 15000PCS/箱
4. 纸箱350mm*350mm*340mm (内部尺寸), 材质K=K

MILLIMETERS	INCH	UNITS	MM
X° ± 2°	X° ±	MATL	SEE NOTES
X ± 0.30	.XX ±	FINISH	SEE NOTES
.XX ± 0.20	.XXX ±	SEE NOTES	SEE NOTES
.XXX ± 0.10	.XXXX ±	QTY	SEE NOTES

深圳市文章济美科技有限公司

PART NUMBER: 102011612
TITLE: NANO SIM CARD PUSH PUSH
7PIN 1.37H WITH CD PIN(客户图)

APPD: C-102011612-00
CHKD: DR: SCALE: 1:1 SHEET: 2/2 REV: A2

