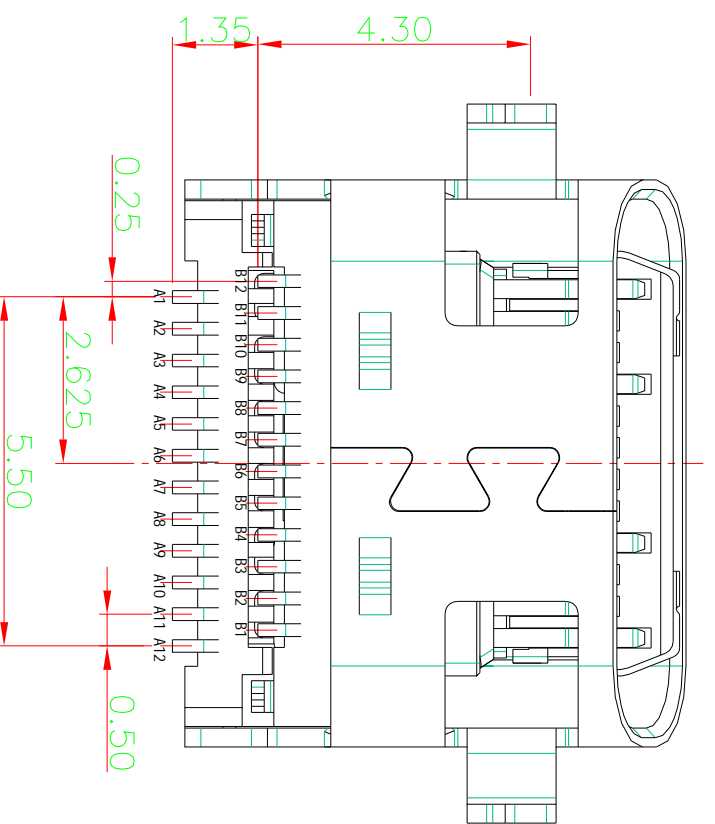
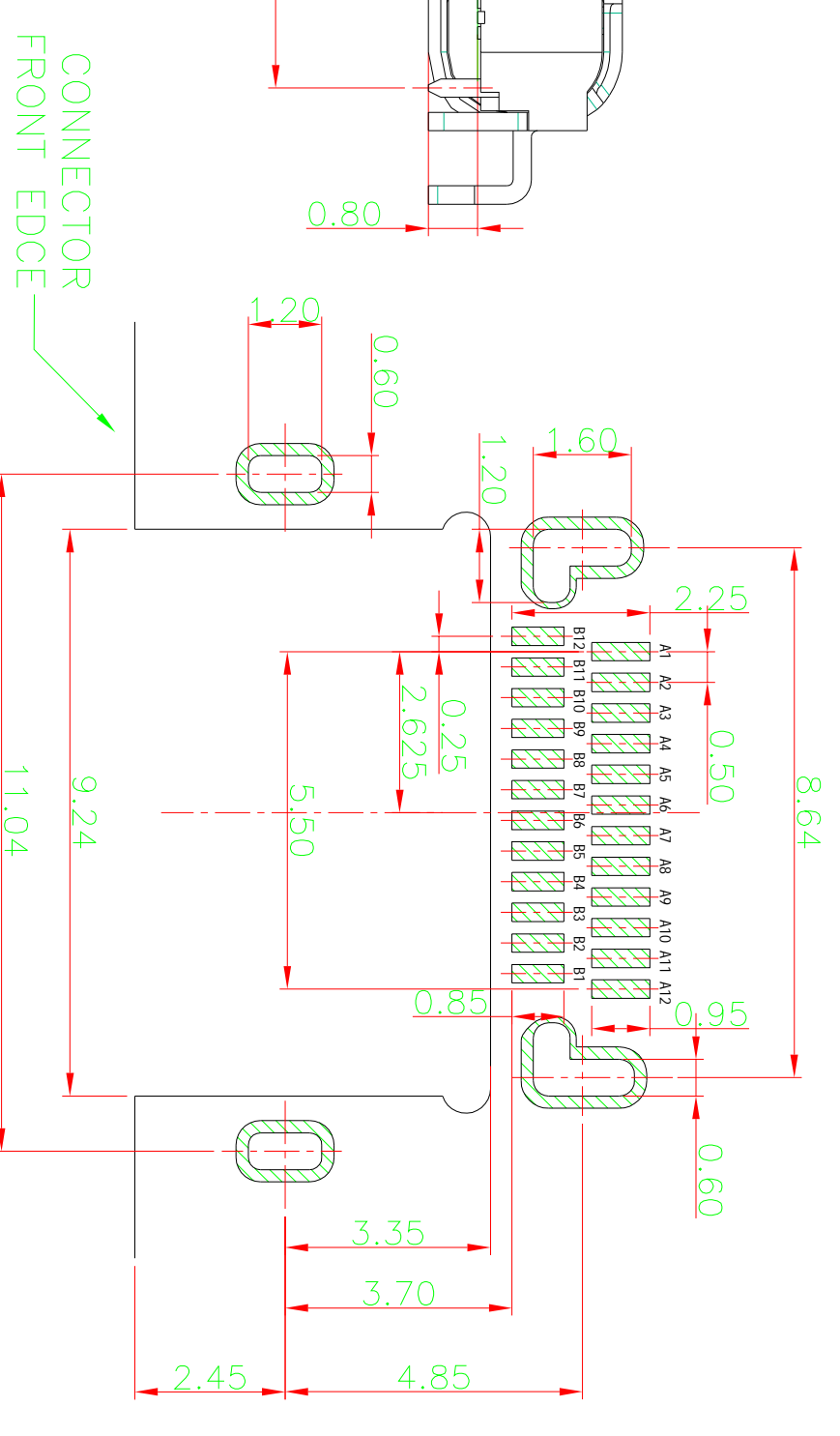
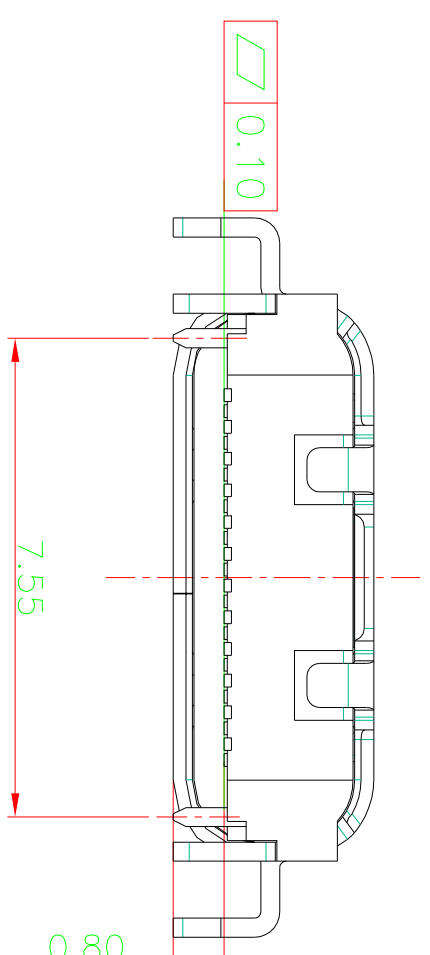
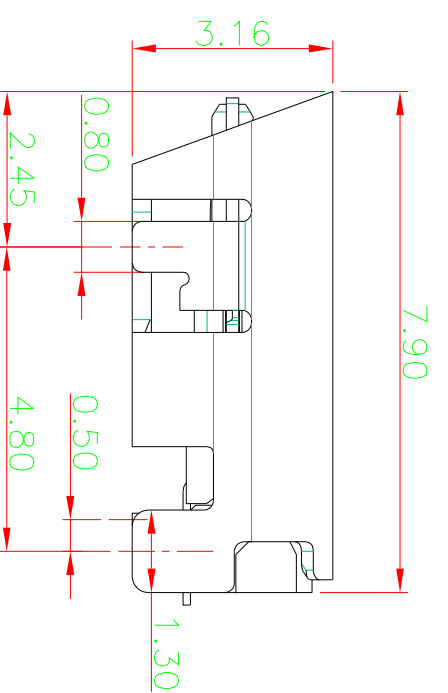
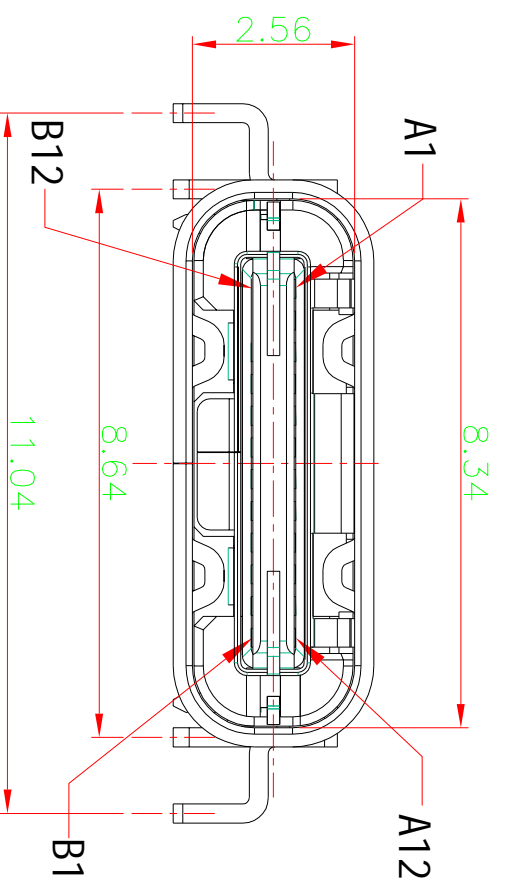
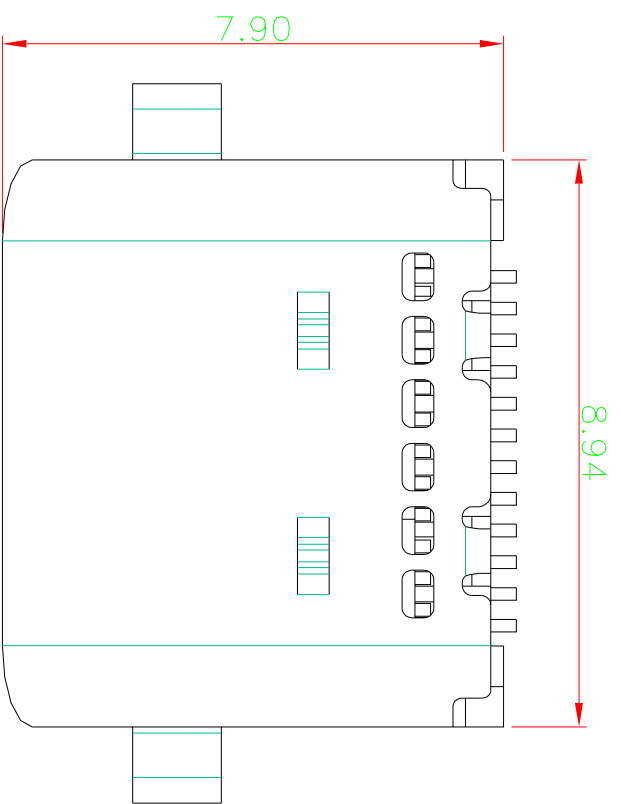


REV.	ECN NO.	DESCRIPTION	DRAW	APPD.	DATE
A	---	新版本发行	DMX	DMX	2016.03.04

NOTES:

SPECIFICATION:

1. CURRENT RATING: 3A MAX
2. VOLTAGE: 100 VAC
3. TEMPERATURE RANGE: -30 °C ~ 85 °C
4. CONTACT RESISTANCE: 40 MILLIONHM MAX
5. INSULATION RESISTANCE: 100 MEGOHMS MIN.
6. INSERTION FORCE : 5N~20N
7. UNMATING FORCE: 8N~20N
8. DURABILITY: 10,000 CYCLES



A1	GND	B12	GND
A2	SSTXP1	B11	SSRXP1
A3	SSTXN1	B10	SSRXN1
A4	VBUS	B9	VBUS
A5	CC1	B8	SBU2
A6	DP1	B7	DN2
A7	DN1	B6	DP2
A8	SBU1	B5	CC2
A9	VBUS	B4	VBUS
A10	SSRXN2	B3	SSTXN2
A11	SSRXP2	B2	SSTXP2
A12	GND	B1	GND

5	SHELL	STAINLESS STEEL	NI/SN Plated	1PCS
4	SPRING	STAINLESS STEEL		1PCS
3	SHIELDING PLATE	STAINLESS STEEL	NI Plated	1PCS
2	CONTACT	COPPER ALLOY	Au/NI Plated	1SET
1	HOUSING	HIGH TEMPERATURE PLASTIC	BLACK	1PCS
NO.	DESCRIPTION	MATERIAL	REMARKS	QTY

RECOMMENDED P.C.B. LAYOUT  
TOLERANCE UNSPECIFIED ±0.05mm

TOLERANCE		NAME (INTENDED USE) CUSTOMER DRAWING	
X.X ±0.30	X.X ± 2°	PART NO.	TITLE:
.XX ±0.20	.X ± 1°	5001-014101020-023	USB C F 沉板0.8铁壳斜口成品
.XXX ±0.10	.XX ±0.5°	APPD:	DRAWG NO.
UNITS	mm	CHED:	0141-023
MATERILA		DRAW:	
FINISH			

SCALE	SHEET	REV.
1:1	1/1	A

深圳市文章济美科技有限公司