

SECTION A-A
SCALE 1:1

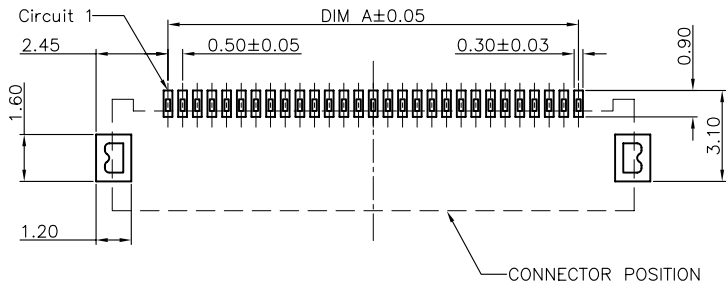
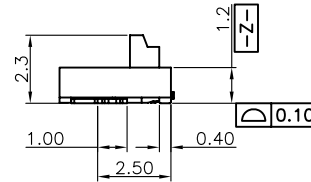
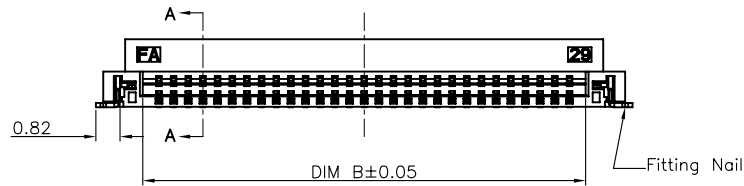
Note:

1. Material:
 - 1.1 Housing: thermoplastic high temp.UL94V-0; Color: natural.
 - 1.2 Latch: thermoplastic high temp.UL94V-0; Color: black.
 - 1.3 Terminal: copper alloy.
 - 1.4 Fitting Nail: copper alloy.
2. Finish:
 - 2.1 Terminal: Underplating: Au/matt Tin overall.
 - 2.2 Fitting Nail: Underplating: matt Tin overall.
3. Product must comply HF RoHS specification.
4. Product No:

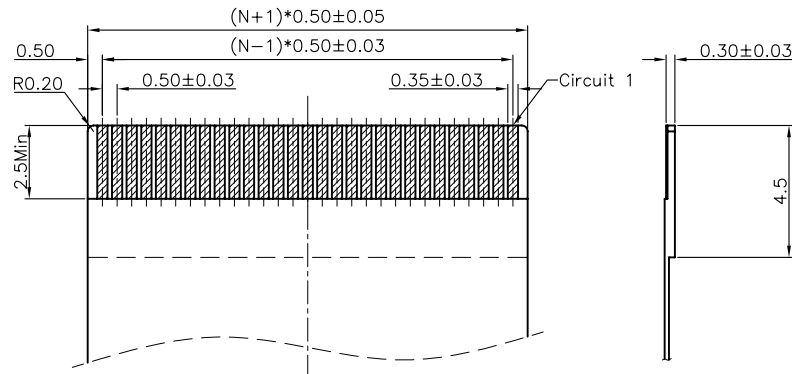
5001-FCB 05 12 - ** R 1-00

ALTERNATE
PACKING:R:卷;T:管
PIN
HIGH:1.2
PITCH:0.5
前插后锁
JME CONNECTOR SERIES

KCTS	DIM A	DIM B	DIM C	DIM D
4	1.50	2.60	5.80	5.30
5	2.00	3.10	6.30	5.80
6	2.50	3.60	6.80	6.30
7	3.00	4.10	7.30	6.80
8	3.50	4.60	7.80	7.30
9	4.00	5.10	8.30	7.80
10	4.50	5.60	8.80	8.30
11	5.00	6.10	9.30	8.80
12	5.50	6.60	9.80	9.30
13	6.00	7.10	10.30	9.80
14	6.50	7.60	10.80	10.30
15	7.00	8.10	11.30	10.80
16	7.50	8.60	11.80	11.30
17	8.00	9.10	12.30	11.80
18	8.50	9.60	12.80	12.30
19	9.00	10.10	13.30	12.80
20	9.50	10.60	13.80	13.30
21	10.00	11.10	14.30	13.80
22	10.50	11.60	14.80	14.30
23	11.00	12.10	15.30	14.80
24	11.50	12.60	15.80	15.30
25	12.00	13.10	16.30	15.80
26	12.50	13.60	16.80	16.30
27	13.00	14.10	17.30	16.80
28	13.50	14.60	17.80	17.30
29	14.00	15.10	18.30	17.80
30	14.50	15.60	18.80	18.30
31	15.00	16.10	19.30	18.80
32	15.50	16.60	19.80	19.30
33	16.00	17.10	20.30	19.80
34	16.50	17.60	20.80	20.30
35	17.00	18.10	21.30	20.80
36	17.50	18.60	21.80	21.30
37	18.00	19.10	22.30	21.80
38	18.50	19.60	22.80	22.30
39	19.00	20.10	23.30	22.80
40	19.50	20.60	23.80	23.30
41	20.00	21.10	24.30	23.80
42	20.50	21.60	24.80	24.30
43	21.00	22.10	25.30	24.80
44	21.50	22.60	25.80	25.30
45	22.00	23.10	26.30	25.80
46	22.50	23.60	26.80	26.30
47	23.00	24.10	27.30	26.80
48	23.50	24.60	27.80	27.30
49	24.00	25.10	28.30	27.80
50	24.50	25.60	28.80	28.30
51	25.00	26.10	29.30	28.80
52	25.50	26.60	29.80	29.30
53	26.00	27.10	30.30	29.80
54	26.50	27.60	30.80	30.30
55	27.00	28.10	31.30	30.80
56	27.50	28.60	31.80	31.30
57	28.00	29.10	32.30	31.80
58	28.50	29.60	32.80	32.30
59	29.00	30.10	33.30	32.80
60	29.50	30.60	33.80	33.30



RECOMMENDED P.C.B. PATTERN LAYOUT



RECOMMENDED FPC/FFC DIMENSION

CUSTOMER DRAWING

Tolerance Unspecified (未注公差)
0.0 ±0.15 0° ±5°
0.00 ±0.10 0° ±3°
0.000 ±0.05 0° ±1°

Size (图幅): A4
Unit (单位): MM
Scale (比例): 1:1
Project View (投影视图): 1 OF 1

深圳市文章济美科技有限公司
Shenzhen WenZhangJiMei technology co., LTD

Product Name (产品名称): 0.5Pitch H=1.2 FPC Back-Flip R/A Type1 SMT CONN
Product No (产品料号):

5001-FCB0512-**-R1-00

Rev	Change Description	Date	Revisor
A	初版发行	2016/04/15	Allan
版本	变更内容	日期	制/修订人

Rev (版本): A

Designer (设计): Allan 04/15/16
Checked (审核):
Approved (核准):