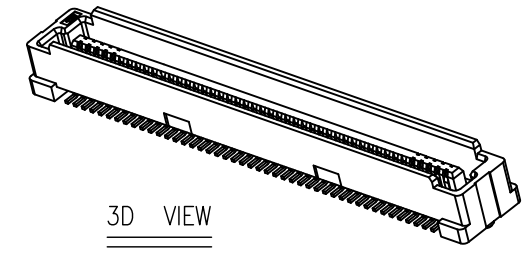
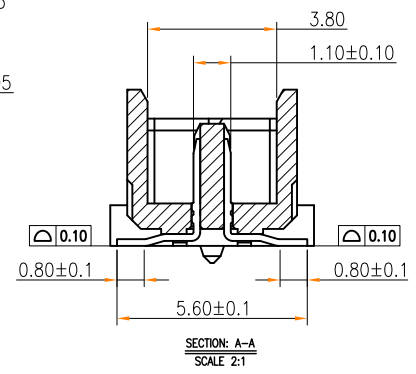
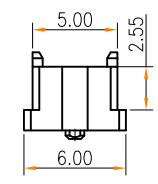


RECOMMENDED P.C. BOARD LAYOUT

NOTES:

- 1.HUOSING: LCP HIGH-TEMP THERMOPLASTIC UL94V-0 COLOR:BEIGE
- 2.TERMINAL:PHOSPHOR BRONZE
PLATING:1μ" GOLD FLASH OVERALL 50~100μ" NICKEL UNDER PLATED.
- 3.CODING INFORMATION: 5001-BDF 0838-**MR

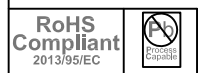
PACKING: R: REEL
MALE
PIN
MATING HEIGHT: 38-3.8H
0.8BTB
JM CONN BTB CONNECTOR SERIES



3D VIEW

NO. of contacts	Dimensions			
	A.	B.	C.	D.
40	21.80	15.20	16.80	20.20
60	29.80	23.20	24.80	28.20
80	37.80	31.20	32.80	36.20
100	45.80	39.20	40.80	44.20
120	53.80	47.20	48.80	52.20
140	61.80	55.20	56.80	60.20
160	69.80	63.20	64.80	68.20
180	77.80	71.20	72.80	76.20
200	85.80	79.20	80.80	84.20

CUSTOMER		深圳市文章济美科技有限公司			
一般公差 GENERAL TOLERANCE	制图 (DR): Kavin 2017.07.19	品名(TITLE): 0.8mm PITCH BTB CONNECTOR PLUG ASSEMBLY 5.0H TYPE			
.X ±0.25 .XX ±0.20 .XXX ±0.10 ANGLES ±1°	审核 (CHKD):	料号(PART NO): 5001-BDF0838-**MR			
修订 SER	修改摘要 REVISION DESCRIPTION	签名 SIGNATURE	日期 DATE	版本 (REV) A	核准 (APPD):
					比例(SCALE) 1:8
					单位(UNITS) mm
					张数(SHEET) 1 OF 1
					图幅(SIZE) A4



1 2 3 4 5 6 7 8

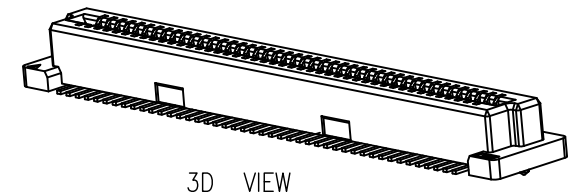
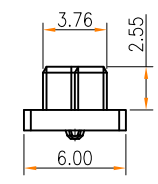
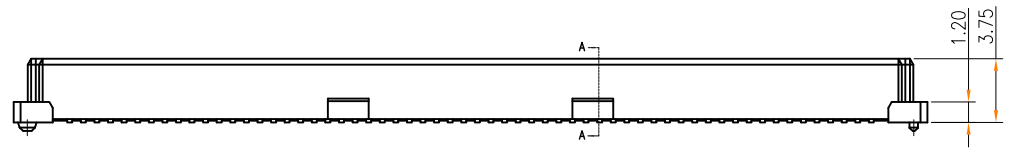
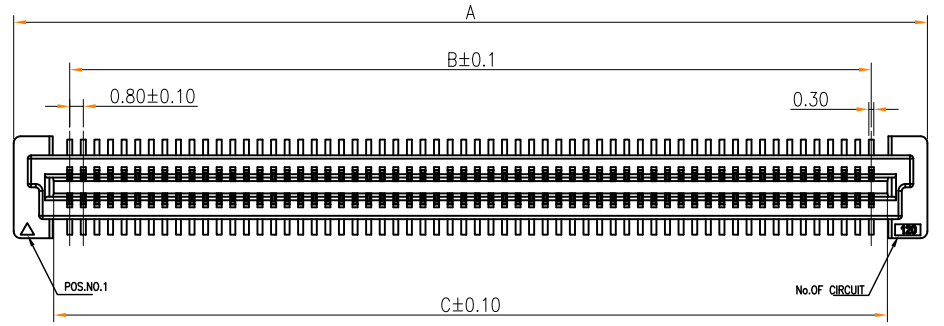
A B C D E F G H

A B C D E F G H

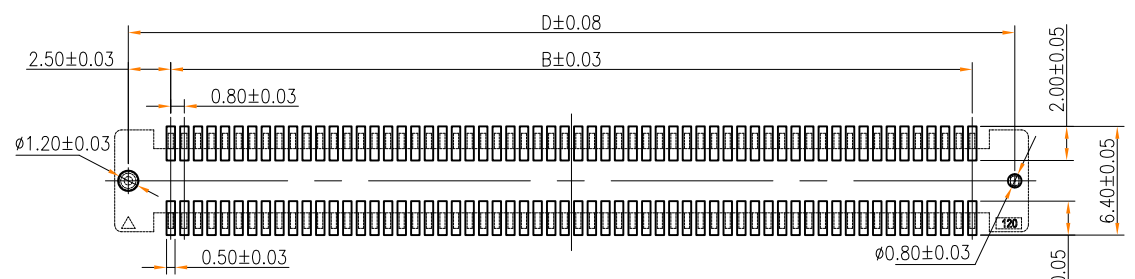
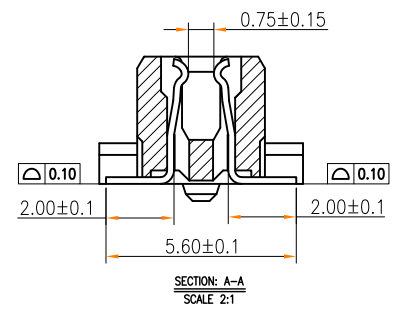
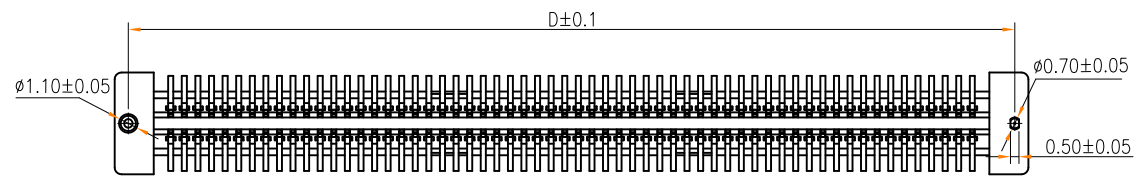
NOTES:

- 1.HUOSING: LCP HIGH-TEMP THERMOPLASTIC UL94V-0 COLOR:BEIGE
- 2.TERMINAL:PHOSPHOR BRONZE
PLATING:1μ" GOLD FLASH OVERALL 50~100μ" NICKEL UNDER PLATED.
- 3.CODING INFORMATION: 5001-BDF 0812-**FR

PACKING: R: REEL
FEMALE
PIN
MATING HEIGHT: 12-1.2H
0.8BTB
JM CONN BTB CONNECTOR SERIES



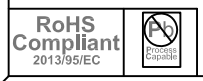
3D VIEW



RECOMMENDED P.C.BOARD LAYOUT

NO.of contacts	Dimensions			
	A.	B.	C.	D.
40	21.80	15.20	17.10	20.20
60	29.80	23.20	25.10	28.20
80	37.80	31.20	33.10	36.20
100	45.80	39.20	41.10	44.20
120	53.80	47.20	49.10	52.20
140	61.80	55.20	57.10	60.20
160	69.80	63.20	65.10	68.20
180	77.80	71.20	73.10	76.20
200	85.80	79.20	81.10	84.20

CUSTOMER		深圳市文章济美科技有限公司			
一般公差 GENERAL TOLERANCE	Revin 2017.07.19	0.8mm PITCH BTB CONNECTOR 品名(TITLE): RECEPTACLE ASSEMBLY 5.0H TYPE			
.X ±0.25 .XX ±0.20 .XXX ±0.10 ANGLES ±1°	审核 (CHKD):	料号(PART NO): 5001-BDF0812-**FR			
修订 SER	修改摘要 REVISION DESCRIPTION	签名 SIGNATURE	日期 DATE	版本 (REV) A	核准 (APPD):
					比例(SCALE) 1:8 单位(UNITS) mm 张数(SHEET) 1 OF 1 图幅(SIZE) A4



1 2 3 4 5 6 7 8